

Table of Contents

Hydraulic control slowly closing check valve with accumulator	2
---	---

EQ1
48,1
11,5

Catalogue

Model 700Dx7k41XF-2.5C
Hydraulic Control Slowly Closing
Check Valve with Accumulator



03-1631 0001

Hubei Hongcheng General Machinery Co., Ltd.
The People's Republic of China

Address: No. 3 Hongmen Road, Jingzhou, Hubei

Telephone: 0086-0716-8246752/8212510

Fax: 0086-0716-8215922/8211623

Corporate Representative: Wang Hongyun

Cable: 1848 Post Code: 434000

CONTENTS

I. Application	1
II. Characteristics	1
III. Working Principle	1
III. Model Numbering System	1
V. Main Performance Data	1
VI. Main Overall & Connection Dimension	2
VII. Material of Main Parts	2
VIII. Main Executive Standards	2

03-1631 0002

I. Application:

The valve is widely used in the pipes of industrial systems, such as running water, iron and steel, metallurgy, chemical industry, etc. It functions cutting off or connecting the medium.

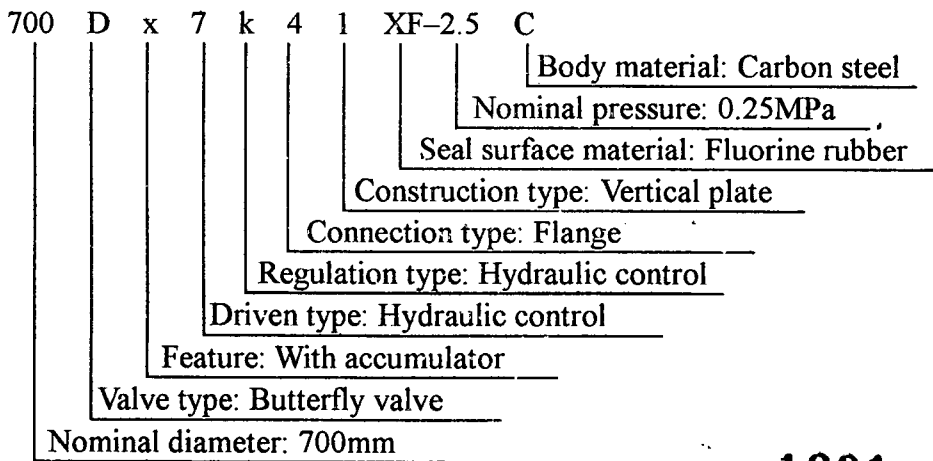
II. Characteristics:

The valve has the following advantages of small volume, light in weight, long service life, etc. It's driven hydraulically, thus to increase the reliability and stability of the valve. Valve opening time is 0~7 seconds and valve closing time is 0~7 seconds.

III. Working Principle:

In the valve, the shaft and the disc are driven by the hydraulic control device to rotate in range of 90° , thus to open and close the valve.

IV. Model Number System:

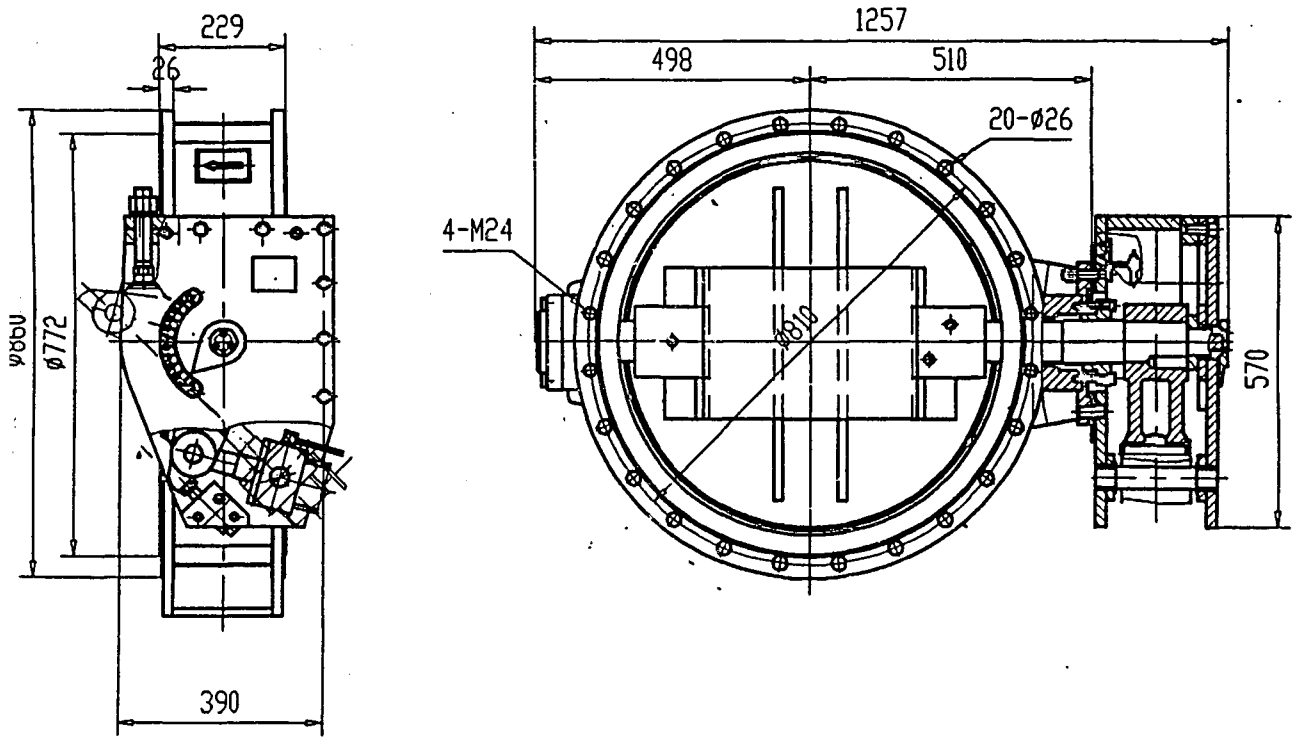


03-1631 0003

V. Main Performance Data:

Nominal Pressure	0.25Mpa
Working Temperature	< 150°C
Applicable Medium	Air

VI. Main Overall & Connection Dimension:



VII. Material of Main Parts:

Name of Parts	Materials
Body	Q235-A
Disc	Q235-A
Valve Shaft	2Cr13
Body seal ring	1Cr18Ni9Ti
Disc seal ring	Silicon rubber

VIII. Main Executive Standards:

To perform according to Standard JB/T5299-1998.

中国有色金属建设集团公司
China Nonferrous Metal Industry's
Foreign Engineering & Construction CO. Ltd

文件清单

页数

箱号 Package No.: 33/49

DOCUMENT LIST

Page No.: 1

品名 DESCRIPTION	文件名称及数量 Name & Quantity Of Documets					
	样本 Product Catalogue	总装图 Genera Assembly Drawing	使用说明书 Operation Manual	电动装置说明书 Operation Manual of Actuator	合格证 Certificate of Quality	详细装箱单 Detailed Packing List
05-502 液压驱动蝶阀 Hydraulic driving butterfly valve	1 ✓	1/5 ✓	1/5 ✓		2/8 ✓	1/4 ✓

品名 DESCRIPTION	文件名称及数量 Name & Quantity Of Documets				
	样本 Product Catalogue	总装图 Genera Assembly Drawing	使用说明书 Operation Manual	合格证 Certificate of Quality	详细装箱单 Detailed Packing List
05-502 液压驱动蝶阀液压站 Hydraulic driving butterfly valve Hydraulic station					4

品名 DESCRIPTION	文件名称及数量 Name & Quantity Of Documets			
	使用说明书 Operation Manual	电气原理图 Electric Principle Diagram	合格证 Certificate of Quality	装箱单 Detailed Packing List
05-502 液压驱动蝶阀控制箱 Hydraulic driving butterfly valve control box				4

品名 DESCRIPTION	文件名称及数量 Name & Quantity Of Documets			
	使用说明书 Operation Manual	电气原理图 Electric Principle Diagram	合格证 Certificate of Quality	装箱单 Detailed Packing List
05-502 液压驱动蝶阀油管 Hydraulic driving butterfly valve Oil pipe				4

CERTIFICATE OF CONFORMITY

Name of Product	Hydraulic driving butterfly valve
Number of Equipment	05--502B
Model of Product	Dx7k41XF-25C
Nominal Diameter	700mm
Nominal Pressure	0.25MPa
Working Temperature	150℃
Suitable Medium	Gas
Inspection Result	Conformity
Lot. No.	200010046
Inspection Date	2000.10.13 000 888
Inspected by	Inspector 5



 HUBEI HONGCHENG
 GENERAL MACHINERY CO., LTD. OF CHINA

03-1631 0006